

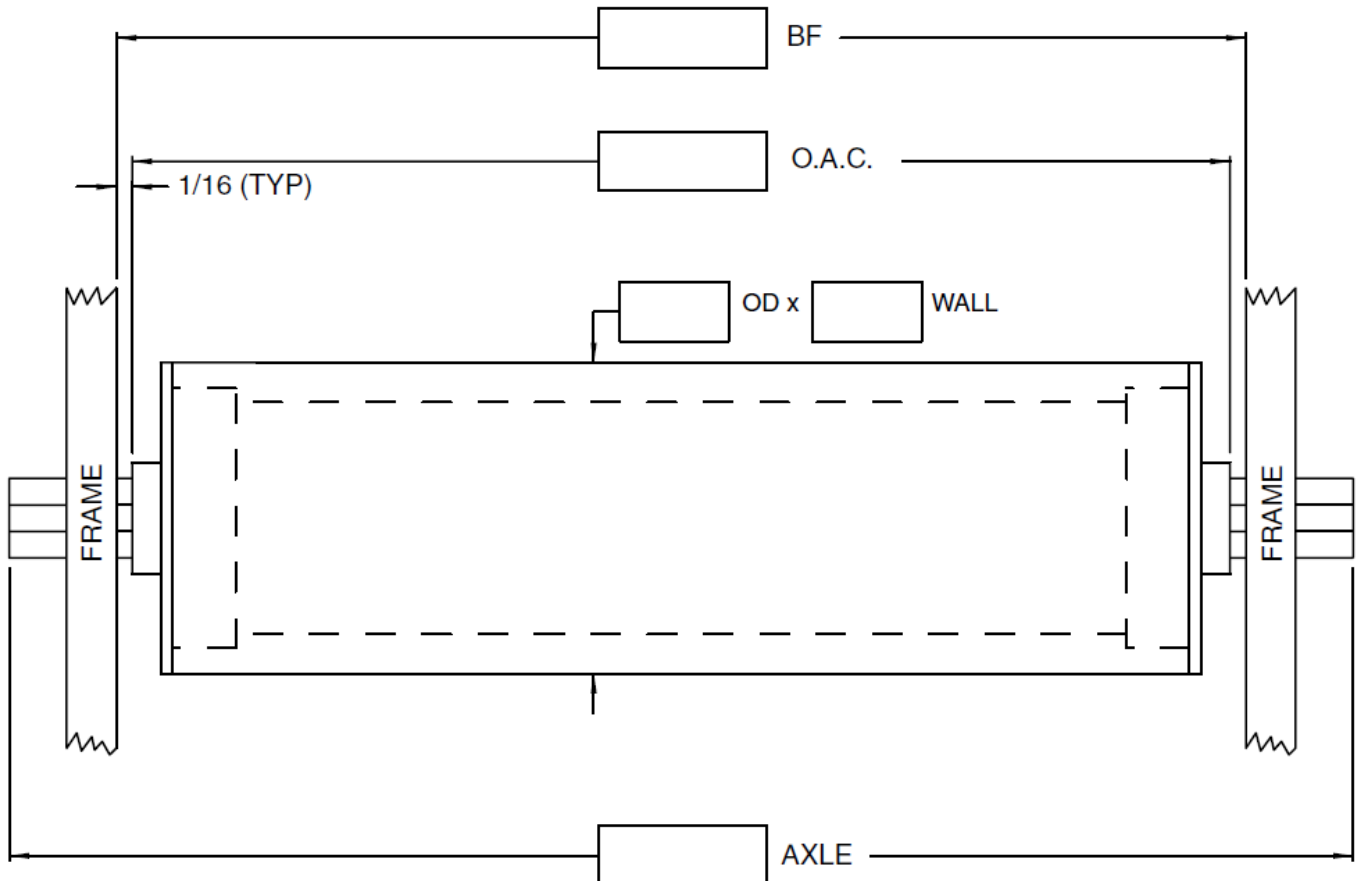


Ph: (636) 741-5700 Fax: (636) 741-5701 908 Jeffco Executive Drive, Imperial, MO 63052-1700

Company: _____ Date: _____
 Contact: _____ Quote Due: _____ Desired Delivery: _____
 Phone No.: _____ Contact Email: _____ State: _____
 Sales Contact: _____ Quote #: _____

Quantity: _____ Notes: _____
 Between Frame Width (BF): _____
 Overall Cone (OAC) (if roller is not in frame): _____
 Roller Diameter: _____
 Wall Thickness (Gauge): _____
 Axle Size: _____ (Hex or Round)
 Axle Length: _____ (or Standard)
 Type of Bearing: _____
 Pin Retained: _____
 Spring Retained: _____
 Load Capacity Required: _____

Note: Between Frame (BF) is the distance between the frames of the conveyor. The BF measurement is needed to ensure proper fit into the conveyor. If the roller is not in the conveyor provide the Overall Cone, the length of the roller from bearing tip to bearing tip (See our Roller Measurement Guide for more information). Utilize the drawing below to depict more detailed specifications.



Customer Approval Signature: _____